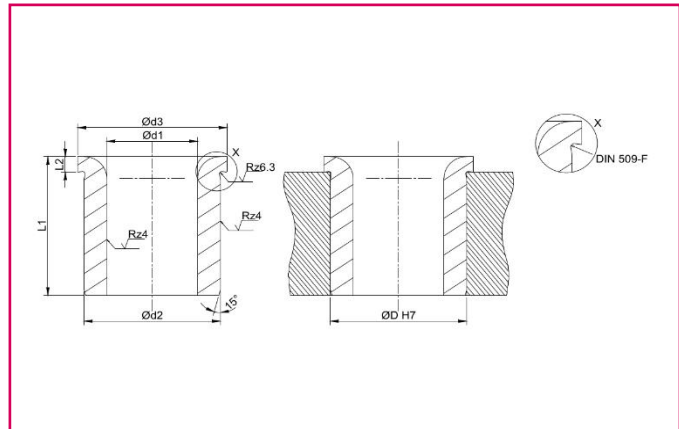


Matière : 16CrNi4 – Cémentées trempées

Dureté : 60 – 62 Hrc

Norme : DIN 172



Exemple de commande


Canon de perçage Ø 6 mm longueur 10mm
Veuillez indiquer : Réf . A172.0009.010

D1 F7	L1	D2 n6	D3	Alésage de positionnement	Références
0,9	6	3	6 mm	3 mm	A172.0090.006
	9	3	6 mm	3 mm	A172.0090.009
1	6	3	6 mm	3 mm	A172.0100.006
	9	3	6 mm	3 mm	A172.0100.009
1,1	6	4	7 mm	4 mm	A172.0110.006
	9	4	7 mm	4 mm	A172.0110.009
1,2	6	4	7 mm	4 mm	A172.0120.006
	9	4	7 mm	4 mm	A172.0120.009
1,3	6	4	7 mm	4 mm	A172.0130.006
	9	4	7 mm	4 mm	A172.0130.009
1,4	6	4	7 mm	4 mm	A172.0140.006
	9	4	7 mm	4 mm	A172.0140.009
1,5	6	4	7 mm	4 mm	A172.0150.006
	9	4	7 mm	4 mm	A172.0150.009
1,6	6	4	7 mm	4 mm	A172.0160.006
	9	4	7 mm	4 mm	A172.0160.009
1,7	6	4	7 mm	4 mm	A172.0170.006
	9	4	7 mm	4 mm	A172.0170.009
1,8	6	4	7 mm	4 mm	A172.0180.006
	9	4	7 mm	4 mm	A172.0180.009
1,9	6	5	8 mm	5 mm	A172.0190.006
	9	5	8 mm	5 mm	A172.0190.009
2	6	5	8 mm	5 mm	A172.0200.006
	9	5	8 mm	5 mm	A172.0200.009
2,1	6	5	8 mm	5 mm	A172.0210.006
	9	5	8 mm	5 mm	A172.0210.009
2,2	6	5	8 mm	5 mm	A172.0220.006
	9	5	8 mm	5 mm	A172.0220.009
2,25	6	5	8 mm	5 mm	A172.0225.006
	9	5	8 mm	5 mm	A172.0225.009

☐ Références en stock

D1 F7	L1	D2 n°	D3	Alésage de positionnement	Références
2,3	6	5	8 mm	5 mm	A172.0230.006
	9	5	8 mm	5 mm	A172.0230.009
2,4	6	5	8 mm	5 mm	A172.0240.006
	9	5	8 mm	5 mm	A172.0240.009
2,5	6	5	9 mm	6 mm	A172.0250.006
	9	5	8 mm	5 mm	A172.0250.009
2,6	6	5	8 mm	5 mm	A172.0260.006
	9	5	8 mm	5 mm	A172.0260.009
2,7	8	6	9 mm	6 mm	A172.0270.008
	12	6	9 mm	6 mm	A172.0270.012
	16	6	9 mm	6 mm	A172.0270.016
2,75	8	6	9 mm	6 mm	A172.0275.008
	12	6	9 mm	6 mm	A172.0275.012
	16	6	9 mm	6 mm	A172.0275.016
2,8	8	6	9 mm	6 mm	A172.0280.008
	12	6	9 mm	6 mm	A172.0280.012
	16	6	9 mm	6 mm	A172.0280.016
2,9	8	6	9 mm	6 mm	A172.0290.008
	12	6	9 mm	6 mm	A172.0290.012
	16	6	9 mm	6 mm	A172.0290.016
3	8	6	9 mm	6 mm	A172.0300.008
	12	6	9 mm	6 mm	A172.0300.012
	16	6	9 mm	6 mm	A172.0300.016
3,1	8	6	9 mm	7 mm	A172.0310.008
	12	6	9 mm	6 mm	A172.0310.012
	16	6	9 mm	6 mm	A172.0310.016
3,2	8	6	9 mm	6 mm	A172.0320.008
	12	6	9 mm	6 mm	A172.0320.012
	16	6	9 mm	6 mm	A172.0320.016
3,25	8	6	9 mm	6 mm	A172.0325.008
	12	6	9 mm	6 mm	A172.0325.012
	16	6	9 mm	6 mm	A172.0325.016
3,3	8	6	9 mm	6 mm	A172.0330.008
	12	6	9 mm	6 mm	A172.0330.012
	16	6	9 mm	6 mm	A172.0330.016
3,4	8	7	10 mm	7 mm	A172.0340.008
	12	7	10 mm	7 mm	A172.0340.012
	16	7	10 mm	7 mm	A172.0340.016
3,5	8	7	10 mm	7 mm	A172.0350.008
	12	7	10 mm	7 mm	A172.0350.012
	16	7	10 mm	7 mm	A172.0350.016


D1 F7	L1	D2 n°	D3	Alésage de positionnement	Références
3,6	8	7	10 mm	7 mm	A172.0360.008
	12	7	10 mm	7 mm	A172.0360.012
	16	7	10 mm	7 mm	A172.0360.016
3,7	8	7	10 mm	7 mm	A172.0370.008
	12	7	10 mm	7 mm	A172.0370.012
	16	7	10 mm	7 mm	A172.0370.016
3,75	8	7	10 mm	7 mm	A172.0375.008
	12	7	10 mm	7 mm	A172.0375.012
	16	7	10 mm	7 mm	A172.0375.016
3,8	8	7	10 mm	7 mm	A172.0380.008
	12	7	10 mm	7 mm	A172.0380.012
	16	7	10 mm	7 mm	A172.0380.016
3,9	8	7	10 mm	7 mm	A172.0390.008
	12	7	10 mm	7 mm	A172.0390.012
	16	7	10 mm	7 mm	A172.0390.016
4	8	7	11 mm	8 mm	A172.0400.008
	12	7	10 mm	7 mm	A172.0400.012
	16	7	10 mm	7 mm	A172.0400.016
4,1	8	8	11 mm	8 mm	A172.0410.008
	12	8	11 mm	8 mm	A172.0410.012
	16	8	11 mm	8 mm	A172.0410.016
4,2	8	8	11 mm	8 mm	A172.0420.008
	12	8	11 mm	8 mm	A172.0420.012
	16	8	11 mm	8 mm	A172.0420.016
4,25	8	8	11 mm	8 mm	A172.0425.008
	12	8	11 mm	8 mm	A172.0425.012
	16	8	11 mm	8 mm	A172.0425.016
4,3	8	8	11 mm	8 mm	A172.0430.008
	12	8	11 mm	8 mm	A172.0430.012
	16	8	11 mm	8 mm	A172.0430.016
4,4	8	8	11 mm	8 mm	A172.0440.008
	12	8	11 mm	8 mm	A172.0440.012
	16	8	11 mm	8 mm	A172.0440.016
4,5	8	8	11 mm	8 mm	A172.0450.008
	12	8	11 mm	8 mm	A172.0450.012
	16	8	11 mm	8 mm	A172.0450.016
4,6	8	8	11 mm	8 mm	A172.0460.008
	12	8	11 mm	8 mm	A172.0460.012
	16	8	11 mm	8 mm	A172.0460.016

 Références en stock

D1 F7	L1	D2 n°	D3	Alésage de positionnement	Références
4,25	8	8	11 mm	8 mm	A172.0425.008
	12	8	11 mm	8 mm	A172.0425.012
	16	8	11 mm	8 mm	A172.0425.016
4,3	8	8	11 mm	8 mm	A172.0430.008
	12	8	11 mm	8 mm	A172.0430.012
	16	8	11 mm	8 mm	A172.0430.016
4,4	8	8	11 mm	8 mm	A172.0440.008
	12	8	11 mm	8 mm	A172.0440.012
	16	8	11 mm	8 mm	A172.0440.016
4,5	8	8	11 mm	8 mm	A172.0450.008
	12	8	11 mm	8 mm	A172.0450.012
	16	8	11 mm	8 mm	A172.0450.016
4,6	8	8	11 mm	8 mm	A172.0460.008
	12	8	11 mm	8 mm	A172.0460.012
	16	8	11 mm	8 mm	A172.0460.016
4,7	8	8	11 mm	8 mm	A172.0470.008
	12	8	11 mm	8 mm	A172.0470.012
	16	8	11 mm	8 mm	A172.0470.016
4,75	8	8	11 mm	8 mm	A172.0475.008
	12	8	11 mm	8 mm	A172.0475.012
	16	8	11 mm	8 mm	A172.0475.016
4,8	8	8	11 mm	8 mm	A172.0480.008
	12	8	11 mm	8 mm	A172.0480.012
	16	8	11 mm	8 mm	A172.0480.016
4,9	8	8	11 mm	8 mm	A172.0490.008
	12	8	11 mm	8 mm	A172.0490.012
	16	8	11 mm	8 mm	A172.0490.016
5	8	8	11 mm	8 mm	A172.0500.008
	12	8	11 mm	8 mm	A172.0500.012
	16	8	11 mm	8 mm	A172.0500.016
5,1	10	10	13 mm	10 mm	A172.0510.010
	16	10	13 mm	10 mm	A172.0510.016
	20	10	13 mm	10 mm	A172.0510.020
5,2	10	10	13 mm	10 mm	A172.0520.010
	16	10	13 mm	10 mm	A172.0520.016
	20	10	13 mm	10 mm	A172.0520.020
5,25	10	10	13 mm	10 mm	A172.0525.010
	16	10	13 mm	10 mm	A172.0525.016
	20	10	13 mm	10 mm	A172.0525.020
5,3	10	10	13 mm	10 mm	A172.0530.010
	16	10	13 mm	10 mm	A172.0530.016
	20	10	13 mm	10 mm	A172.0530.020

D1 F7	L1	D2 n6	D3	Alésage de positionnement	Références
5,4	10	10	13 mm	10 mm	A172.0540.010
	16	10	13 mm	10 mm	A172.0540.016
	20	10	13 mm	10 mm	A172.0540.020
5,5	10	10	13 mm	10 mm	A172.0550.010
	16	10	13 mm	10 mm	A172.0550.016
	20	10	13 mm	10 mm	A172.0550.020
5,6	10	10	13 mm	10 mm	A172.0560.010
	16	10	13 mm	10 mm	A172.0560.016
	20	10	13 mm	10 mm	A172.0560.020
5,7	10	10	13 mm	10 mm	A172.0570.010
	16	10	13 mm	10 mm	A172.0570.016
	20	10	13 mm	10 mm	A172.0570.020
5,75	10	10	13 mm	10 mm	A172.0575.010
	16	10	13 mm	10 mm	A172.0575.016
	20	10	13 mm	10 mm	A172.0575.020
5,8	10	10	13 mm	10 mm	A172.0580.010
	16	10	13 mm	10 mm	A172.0580.016
	20	10	13 mm	10 mm	A172.0580.020
5,9	10	10	13 mm	10 mm	A172.0590.010
	16	10	13 mm	10 mm	A172.0590.016
	20	10	13 mm	10 mm	A172.0590.020
6	10	10	13 mm	10 mm	A172.0600.010
	16	10	13 mm	10 mm	A172.0600.016
	20	10	13 mm	10 mm	A172.0600.020
6,1	10	12	15 mm	12 mm	A172.0610.010
	16	12	15 mm	12 mm	A172.0610.016
	20	12	15 mm	12 mm	A172.0610.020
6,2	10	12	15 mm	12 mm	A172.0620.010
	16	12	15 mm	12 mm	A172.0620.016
	20	12	15 mm	12 mm	A172.0620.020
6,25	10	12	15 mm	12 mm	A172.0625.010
	16	12	15 mm	12 mm	A172.0625.016
	20	12	15 mm	12 mm	A172.0625.020
6,3	10	12	15 mm	12 mm	A172.0630.010
	16	12	15 mm	12 mm	A172.0630.016
	20	12	15 mm	12 mm	A172.0630.020
6,4	10	12	15 mm	12 mm	A172.0640.010
	16	12	15 mm	12 mm	A172.0640.016
	20	12	15 mm	12 mm	A172.0640.020
6,5	10	12	15 mm	12 mm	A172.0650.010
	16	12	15 mm	12 mm	A172.0650.016
	20	12	15 mm	12 mm	A172.0650.020

D1 F7	L1	D2 n6	D3	Alésage de positionnement	Références
6,6	10	12	15 mm	12 mm	A172.0660.010
	16	12	15 mm	12 mm	A172.0660.016
	20	12	15 mm	12 mm	A172.0660.020
6,7	10	12	15 mm	12 mm	A172.0670.010
	16	12	15 mm	12 mm	A172.0670.016
	20	12	15 mm	12 mm	A172.0670.020
6,75	10	12	15 mm	12 mm	A172.0675.010
	16	12	15 mm	12 mm	A172.0675.016
	20	12	15 mm	12 mm	A172.0675.020
6,8	10	12	15 mm	12 mm	A172.0680.010
	16	12	15 mm	12 mm	A172.0680.016
	20	12	15 mm	12 mm	A172.0680.020
6,9	10	12	15 mm	12 mm	A172.0690.010
	16	12	15 mm	12 mm	A172.0690.016
	20	12	15 mm	12 mm	A172.0690.020
7	10	12	15 mm	12 mm	A172.0700.010
	16	12	15 mm	12 mm	A172.0700.016
	20	12	15 mm	12 mm	A172.0700.020
7,1	10	12	15 mm	12 mm	A172.0710.010
	16	12	15 mm	12 mm	A172.0710.016
	20	12	15 mm	12 mm	A172.0710.020
7,2	10	12	15 mm	12 mm	A172.0720.010
	16	12	15 mm	12 mm	A172.0720.016
	20	12	15 mm	12 mm	A172.0720.020
7,25	10	12	15 mm	12 mm	A172.0725.010
	16	12	15 mm	12 mm	A172.0725.016
	20	12	15 mm	12 mm	A172.0725.020
7,3	10	12	15 mm	12 mm	A172.0730.010
	16	12	15 mm	12 mm	A172.0730.016
	20	12	15 mm	12 mm	A172.0730.020
7,4	10	12	15 mm	12 mm	A172.0740.010
	16	12	15 mm	12 mm	A172.0740.016
	20	12	15 mm	12 mm	A172.0740.020
7,5	10	12	15 mm	12 mm	A172.0750.010
	16	12	15 mm	12 mm	A172.0750.016
	20	12	15 mm	12 mm	A172.0750.020
7,6	10	12	15 mm	12 mm	A172.0760.010
	16	12	15 mm	12 mm	A172.0760.016
	20	12	15 mm	12 mm	A172.0760.020
7,7	10	12	15 mm	12 mm	A172.0770.010
	16	12	15 mm	12 mm	A172.0770.016
	20	12	15 mm	12 mm	A172.0770.020

 Références en stock

D1 F7	L1	D2 n°	D3	Alésage de positionnement	Références
7,75	10	12	15 mm	12 mm	A172.0775.010
	16	12	15 mm	12 mm	A172.0775.016
	20	12	15 mm	12 mm	A172.0775.020
7,8	10	12	15 mm	12 mm	A172.0780.010
	16	12	15 mm	12 mm	A172.0780.016
	20	12	15 mm	12 mm	A172.0780.020
7,9	10	12	15 mm	12 mm	A172.0790.010
	16	12	15 mm	12 mm	A172.0790.016
	20	12	15 mm	12 mm	A172.0790.020
8	10	12	15 mm	12 mm	A172.0800.010
	16	12	15 mm	12 mm	A172.0800.016
	20	12	15 mm	12 mm	A172.0800.020
8,1	12	15	18 mm	15 mm	A172.0810.012
	20	15	18 mm	15 mm	A172.0810.020
	25	15	18 mm	15 mm	A172.0810.025
8,2	12	15	18 mm	15 mm	A172.0820.012
	20	15	18 mm	15 mm	A172.0820.020
	25	15	18 mm	15 mm	A172.0820.025
8,25	12	15	18 mm	15 mm	A172.0825.012
	20	15	18 mm	15 mm	A172.0825.020
	25	15	18 mm	15 mm	A172.0825.025
8,3	12	15	18 mm	15 mm	A172.0830.012
	20	15	18 mm	15 mm	A172.0830.020
	25	15	18 mm	15 mm	A172.0830.025
8,4	12	15	18 mm	15 mm	A172.0840.012
	20	15	18 mm	15 mm	A172.0840.020
	25	15	18 mm	15 mm	A172.0840.025
8,5	12	15	18 mm	15 mm	A172.0850.012
	20	15	18 mm	15 mm	A172.0850.020
	25	15	18 mm	15 mm	A172.0850.025
8,6	12	15	18 mm	15 mm	A172.0860.012
	20	15	18 mm	15 mm	A172.0860.020
	25	15	18 mm	15 mm	A172.0860.025
8,7	12	15	18 mm	15 mm	A172.0870.012
	20	15	18 mm	15 mm	A172.0870.020
	25	15	18 mm	15 mm	A172.0870.025
8,75	12	15	18 mm	15 mm	A172.0875.012
	20	15	18 mm	15 mm	A172.0875.020
	25	15	18 mm	15 mm	A172.0875.025
8,8	12	15	18 mm	15 mm	A172.0880.012
	20	15	18 mm	15 mm	A172.0880.020
	25	15	18 mm	15 mm	A172.0880.025

D1 F7	L1	D2 n6	D3	Alésage de positionnement	Références
8,9	12	15	18 mm	15 mm	A172.0890.012
	20	15	18 mm	15 mm	A172.0890.020
	25	15	18 mm	15 mm	A172.0890.025
9	12	15	18 mm	15 mm	A172.0900.012
	20	15	18 mm	15 mm	A172.0900.020
	25	15	18 mm	15 mm	A172.0900.025
9,1	12	15	18 mm	15 mm	A172.0910.012
	20	15	18 mm	15 mm	A172.0910.020
	25	15	18 mm	15 mm	A172.0910.025
9,2	12	15	18 mm	15 mm	A172.0920.012
	20	15	18 mm	15 mm	A172.0920.020
	25	15	18 mm	15 mm	A172.0920.025
9,25	12	15	18 mm	15 mm	A172.0925.012
	20	15	18 mm	15 mm	A172.0925.020
	25	15	18 mm	15 mm	A172.0925.025
9,3	12	15	18 mm	15 mm	A172.0930.012
	20	15	18 mm	15 mm	A172.0930.020
	25	15	18 mm	15 mm	A172.0930.025
9,4	12	15	18 mm	15 mm	A172.0940.012
	20	15	18 mm	15 mm	A172.0940.020
	25	15	18 mm	15 mm	A172.0940.025
9,5	12	15	18 mm	15 mm	A172.0950.012
	20	15	18 mm	15 mm	A172.0950.020
	25	15	18 mm	15 mm	A172.0950.025
9,6	12	15	18 mm	15 mm	A172.0960.012
	20	15	18 mm	15 mm	A172.0960.020
	25	15	18 mm	15 mm	A172.0960.025
9,7	12	15	18 mm	15 mm	A172.0970.012
	20	15	18 mm	15 mm	A172.0970.020
	25	15	18 mm	15 mm	A172.0970.025
9,75	12	15	18 mm	15 mm	A172.0975.012
	20	15	18 mm	15 mm	A172.0975.020
	25	15	18 mm	15 mm	A172.0975.025
9,8	12	15	18 mm	15 mm	A172.0980.012
	20	15	18 mm	15 mm	A172.0980.020
	25	15	18 mm	15 mm	A172.0980.025
9,9	12	15	18 mm	15 mm	A172.0990.012
	20	15	18 mm	15 mm	A172.0990.020
	25	15	18 mm	15 mm	A172.0990.025
10	12	15	18 mm	15 mm	A172.1000.012
	20	15	18 mm	15 mm	A172.1000.020
	25	15	18 mm	15 mm	A172.1000.025

D1 F7	L1	D2 n°	D3	Alésage de positionnement	Références
10,1	12	18	22 mm	18 mm	A172.1010.012
	20	18	22 mm	18 mm	A172.1010.020
	25	18	22 mm	18 mm	A172.1010.025
10,2	12	18	22 mm	18 mm	A172.1020.012
	20	18	22 mm	18 mm	A172.1020.020
	25	18	22 mm	18 mm	A172.1020.025
10,25	12	18	22 mm	18 mm	A172.1025.012
	20	18	22 mm	18 mm	A172.1025.020
	25	18	22 mm	18 mm	A172.1025.025
10,3	12	18	22 mm	18 mm	A172.1030.012
	20	18	22 mm	18 mm	A172.1030.020
	25	18	22 mm	18 mm	A172.1030.025
10,4	12	18	22 mm	18 mm	A172.1040.012
	20	18	22 mm	18 mm	A172.1040.020
	25	18	22 mm	18 mm	A172.1040.025
10,5	12	18	22 mm	18 mm	A172.1050.012
	20	18	22 mm	18 mm	A172.1050.020
	25	18	22 mm	18 mm	A172.1050.025
10,6	12	18	22 mm	18 mm	A172.1060.012
	20	18	22 mm	18 mm	A172.1060.020
	25	18	22 mm	18 mm	A172.1060.025
10,7	12	18	22 mm	18 mm	A172.1070.012
	20	18	22 mm	18 mm	A172.1070.020
	25	18	22 mm	18 mm	A172.1070.025
10,75	12	18	22 mm	18 mm	A172.1075.012
	20	18	22 mm	18 mm	A172.1075.020
	25	18	22 mm	18 mm	A172.1075.025
10,8	12	18	22 mm	18 mm	A172.1080.012
	20	18	22 mm	18 mm	A172.1080.020
	25	18	22 mm	18 mm	A172.1080.025
10,9	12	18	22 mm	18 mm	A172.1090.012
	20	18	22 mm	18 mm	A172.1090.020
	25	18	22 mm	18 mm	A172.1090.025
11	12	18	22 mm	18 mm	A172.1100.012
	20	18	22 mm	18 mm	A172.1100.020
	25	18	22 mm	18 mm	A172.1100.025
11,1	12	18	22 mm	18 mm	A172.1110.012
	20	18	22 mm	18 mm	A172.1110.020
	25	18	22 mm	18 mm	A172.1110.025
11,2	12	18	22 mm	18 mm	A172.1120.012
	20	18	22 mm	18 mm	A172.1120.020
	25	18	22 mm	18 mm	A172.1120.025

D1 F7	L1	D2 n6	D3	Alésage de positionnement	Références
11,25	12	18	22 mm	18 mm	A172.1125.012
	20	18	22 mm	18 mm	A172.1125.020
	25	18	22 mm	18 mm	A172.1125.025
11,3	12	18	22 mm	18 mm	A172.1130.012
	20	18	22 mm	18 mm	A172.1130.020
	25	18	22 mm	18 mm	A172.1130.025
11,4	12	18	22 mm	18 mm	A172.1140.012
	20	18	22 mm	18 mm	A172.1140.020
	25	18	22 mm	18 mm	A172.1140.025
11,5	12	18	22 mm	18 mm	A172.1150.012
	20	18	22 mm	18 mm	A172.1150.020
	25	18	22 mm	18 mm	A172.1150.025
11,6	12	18	22 mm	18 mm	A172.1160.012
	20	18	22 mm	18 mm	A172.1160.020
	25	18	22 mm	18 mm	A172.1160.025
11,7	12	18	22 mm	18 mm	A172.1170.012
	20	18	22 mm	18 mm	A172.1170.020
	25	18	22 mm	18 mm	A172.1170.025
11,75	12	18	22 mm	18 mm	A172.1175.012
	20	18	22 mm	18 mm	A172.1175.020
	25	18	22 mm	18 mm	A172.1175.025
11,8	12	18	22 mm	18 mm	A172.1180.012
	20	18	22 mm	18 mm	A172.1180.020
	25	18	22 mm	18 mm	A172.1180.025
11,9	12	18	22 mm	18 mm	A172.1190.012
	20	18	22 mm	18 mm	A172.1190.020
	25	18	22 mm	18 mm	A172.1190.025
12	12	18	22 mm	18 mm	A172.1200.012
	20	18	22 mm	18 mm	A172.1200.020
	25	18	22 mm	18 mm	A172.1200.025
12,1	36	22	26 mm	22 mm	A172.1210.036
	16	22	26 mm	22 mm	A172.1210.016
	28	22	26 mm	22 mm	A172.1210.028
12,2	16	22	26 mm	22 mm	A172.1220.016
	28	22	26 mm	22 mm	A172.1220.028
	36	22	26 mm	22 mm	A172.1220.036
12,25	16	22	26 mm	22 mm	A172.1225.016
	28	22	26 mm	22 mm	A172.1225.028
	36	22	26 mm	22 mm	A172.1225.036
12,3	16	22	26 mm	22 mm	A172.1230.016
	28	22	26 mm	22 mm	A172.1230.028
	36	22	26 mm	22 mm	A172.1230.036

D1 F7	L1	D2 n6	D3	Alésage de positionnement	Références
12,4	16	22	26 mm	22 mm	A172.1240.016
	28	22	26 mm	22 mm	A172.1240.028
	36	22	26 mm	22 mm	A172.1240.036
12,5	16	22	26 mm	22 mm	A172.1250.016
	28	22	26 mm	22 mm	A172.1250.028
	36	22	26 mm	22 mm	A172.1250.036
12,6	16	22	26 mm	22 mm	A172.1260.016
	28	22	26 mm	22 mm	A172.1260.028
	36	22	26 mm	22 mm	A172.1260.036
12,7	16	22	26 mm	22 mm	A172.1270.016
	28	22	26 mm	22 mm	A172.1270.028
	36	22	26 mm	22 mm	A172.1270.036
12,75	16	22	26 mm	22 mm	A172.1275.016
	28	22	26 mm	22 mm	A172.1275.028
	36	22	26 mm	22 mm	A172.1275.036
12,8	16	22	26 mm	22 mm	A172.1280.016
	28	22	26 mm	22 mm	A172.1280.028
	36	22	26 mm	22 mm	A172.1280.036
12,9	16	22	26 mm	22 mm	A172.1290.016
	28	22	26 mm	22 mm	A172.1290.028
	36	22	26 mm	22 mm	A172.1290.036
13	16	22	26 mm	22 mm	A172.1300.016
	28	22	26 mm	22 mm	A172.1300.028
	36	22	26 mm	22 mm	A172.1300.036
13,1	16	22	26 mm	22 mm	A172.1310.016
	28	22	26 mm	22 mm	A172.1310.028
	36	22	26 mm	22 mm	A172.1310.036
13,2	16	22	26 mm	22 mm	A172.1320.016
	28	22	26 mm	22 mm	A172.1320.028
	36	22	26 mm	22 mm	A172.1320.036
13,25	16	22	26 mm	22 mm	A172.1325.016
	28	22	26 mm	22 mm	A172.1325.028
	36	22	26 mm	22 mm	A172.1325.036
13,3	16	22	26 mm	22 mm	A172.1330.016
	28	22	26 mm	22 mm	A172.1330.028
	36	22	26 mm	22 mm	A172.1330.036
13,4	16	22	26 mm	22 mm	A172.1340.016
	28	22	26 mm	22 mm	A172.1340.028
	36	22	26 mm	22 mm	A172.1340.036
13,5	16	22	26 mm	22 mm	A172.1350.016
	28	22	26 mm	22 mm	A172.1350.028
	36	22	26 mm	22 mm	A172.1350.036

D1 F7	L1	D2 n°	D3	Alésage de positionnement	Références
13,6	16	22	26 mm	22 mm	A172.1360.016
	28	22	26 mm	22 mm	A172.1360.028
	36	22	26 mm	22 mm	A172.1360.036
13,7	16	22	26 mm	22 mm	A172.1370.016
	28	22	26 mm	22 mm	A172.1370.028
	36	22	26 mm	22 mm	A172.1370.036
13,75	16	22	26 mm	22 mm	A172.1375.016
	28	22	26 mm	22 mm	A172.1375.028
	36	22	26 mm	22 mm	A172.1375.036
13,8	16	22	26 mm	22 mm	A172.1380.016
	28	22	26 mm	22 mm	A172.1380.028
	36	22	26 mm	22 mm	A172.1380.036
13,9	16	22	26 mm	22 mm	A172.1390.016
	28	22	26 mm	22 mm	A172.1390.028
	36	22	26 mm	22 mm	A172.1390.036
14	16	22	26 mm	22 mm	A172.1400.016
	28	22	26 mm	22 mm	A172.1400.028
	36	22	26 mm	22 mm	A172.1400.036
14,1	16	22	26 mm	22 mm	A172.1410.016
	28	22	26 mm	22 mm	A172.1410.028
	36	22	26 mm	22 mm	A172.1410.036
14,2	16	22	26 mm	22 mm	A172.1420.016
	28	22	26 mm	22 mm	A172.1420.028
	36	22	26 mm	22 mm	A172.1420.036
14,25	16	22	26 mm	22 mm	A172.1425.016
	28	22	26 mm	22 mm	A172.1425.028
	36	22	26 mm	22 mm	A172.1425.036
14,3	16	22	26 mm	22 mm	A172.1430.016
	28	22	26 mm	22 mm	A172.1430.028
	36	22	26 mm	22 mm	A172.1430.036
14,4	16	22	26 mm	22 mm	A172.1440.016
	28	22	26 mm	22 mm	A172.1440.028
	36	22	26 mm	22 mm	A172.1440.036
14,5	16	22	26 mm	22 mm	A172.1450.016
	28	22	26 mm	22 mm	A172.1450.028
	36	22	26 mm	22 mm	A172.1450.036
14,6	16	22	26 mm	22 mm	A172.1460.016
	28	22	26 mm	22 mm	A172.1460.028
	36	22	26 mm	22 mm	A172.1460.036
14,7	16	22	26 mm	22 mm	A172.1470.016
	28	22	26 mm	22 mm	A172.1470.028
	36	22	26 mm	22 mm	A172.1470.036

D1 F7	L1	D2 n°	D3	Alésage de positionnement	Références
14,75	16	22	26 mm	22 mm	A172.1475.016
	28	22	26 mm	22 mm	A172.1475.028
	36	22	26 mm	22 mm	A172.1475.036
14,8	16	22	26 mm	22 mm	A172.1480.016
	28	22	26 mm	22 mm	A172.1480.028
	36	22	26 mm	22 mm	A172.1480.036
14,9	16	22	26 mm	22 mm	A172.1490.016
	28	22	26 mm	22 mm	A172.1490.028
	36	22	26 mm	22 mm	A172.1490.036
15	16	22	26 mm	22 mm	A172.1500.016
	28	22	26 mm	22 mm	A172.1500.028
	36	22	26 mm	22 mm	A172.1500.036
15,25	16	26	30 mm	26 mm	A172.1525.016
	28	26	30 mm	26 mm	A172.1525.028
	36	26	30 mm	26 mm	A172.1525.036
15,5	16	26	30 mm	26 mm	A172.1550.016
	28	26	30 mm	26 mm	A172.1550.028
	36	26	30 mm	26 mm	A172.1550.036
15,75	16	26	30 mm	26 mm	A172.1575.016
	28	26	30 mm	26 mm	A172.1575.028
	36	26	30 mm	26 mm	A172.1575.036
16	16	26	30 mm	26 mm	A172.1600.016
	28	26	30 mm	26 mm	A172.1600.028
	36	26	30 mm	26 mm	A172.1600.036
16,25	16	26	30 mm	26 mm	A172.1625.016
	28	26	30 mm	26 mm	A172.1625.028
	36	26	30 mm	26 mm	A172.1625.036
16,5	16	26	30 mm	26 mm	A172.1650.016
	28	26	30 mm	26 mm	A172.1650.028
	36	26	30 mm	26 mm	A172.1650.036
16,75	16	26	30 mm	26 mm	A172.1675.016
	28	26	30 mm	26 mm	A172.1675.028
	36	26	30 mm	26 mm	A172.1675.036
17	16	26	30 mm	26 mm	A172.1700.016
	28	26	30 mm	26 mm	A172.1700.028
	36	26	30 mm	26 mm	A172.1700.036
17,25	16	26	30 mm	26 mm	A172.1725.016
	28	26	30 mm	26 mm	A172.1725.028
	36	26	30 mm	26 mm	A172.1725.036
17,5	16	26	30 mm	26 mm	A172.1750.016
	28	26	30 mm	26 mm	A172.1750.028
	36	26	30 mm	26 mm	A172.1750.036

D1 F7	L1	D2 n6	D3	Alésage de positionnement	Références
17,75	16	26	30 mm	26 mm	A172.1775.016
	28	26	30 mm	26 mm	A172.1775.028
	36	26	30 mm	26 mm	A172.1775.036
18	16	26	30 mm	26 mm	A172.1800.016
	28	26	30 mm	26 mm	A172.1800.028
	36	26	30 mm	26 mm	A172.1800.036
18,25	20	30	34 mm	30 mm	A172.1825.020
	36	30	34 mm	30 mm	A172.1825.036
	45	30	34 mm	30 mm	A172.1825.045
18,5	20	30	34 mm	30 mm	A172.1850.020
	36	30	34 mm	30 mm	A172.1850.036
	45	30	34 mm	30 mm	A172.1850.045
18,75	20	30	34 mm	30 mm	A172.1875.020
	36	30	34 mm	30 mm	A172.1875.036
	45	30	34 mm	30 mm	A172.1875.045
19	20	30	34 mm	30 mm	A172.1900.020
	36	30	34 mm	30 mm	A172.1900.036
	45	30	34 mm	30 mm	A172.1900.045
19,25	20	30	34 mm	30 mm	A172.1925.020
	36	30	34 mm	30 mm	A172.1925.036
19,5	20	30	34 mm	30 mm	A172.1950.020
	36	30	34 mm	30 mm	A172.1950.036
20	20	30	34 mm	30 mm	A172.2000.020
	36	30	34 mm	30 mm	A172.2000.036
	45	30	34 mm	30 mm	A172.2000.045
20,25	20	30	34 mm	30 mm	A172.2025.020
	36	30	34 mm	30 mm	A172.2025.036
20,5	20	30	34 mm	30 mm	A172.2050.020
	36	30	34 mm	30 mm	A172.2050.036
20,75	20	30	34 mm	30 mm	A172.2075.020
	36	30	34 mm	30 mm	A172.2075.036
21	20	30	34 mm	30 mm	A172.2100.020
	36	30	34 mm	30 mm	A172.2100.036
	45	30	34 mm	30 mm	A172.2100.045
21,25	20	30	34 mm	30 mm	A172.2125.020
	36	30	34 mm	30 mm	A172.2125.036
21,5	20	30	34 mm	30 mm	A172.2150.020
	36	30	34 mm	30 mm	A172.2150.036
21,75	20	30	34 mm	30 mm	A172.2175.020
	36	30	34 mm	30 mm	A172.2175.036
22	20	30	34 mm	30 mm	A172.2200.020
	36	30	34 mm	30 mm	A172.2200.036
	45	30	34 mm	30 mm	A172.2200.045

D1 F7	L1	D2 n6	D3	Alésage de positionnement	Références
22,25	20	35	39 mm	35 mm	A172.2225.020
	36	35	39 mm	35 mm	A172.2225.036
22,5	20	35	39 mm	35 mm	A172.2250.020
	36	35	39 mm	35 mm	A172.2250.036
22,75	20	35	39 mm	35 mm	A172.2275.020
	36	35	39 mm	35 mm	A172.2275.036
23	20	35	39 mm	35 mm	A172.2300.020
	36	35	39 mm	35 mm	A172.2300.036
	45	35	39 mm	35 mm	A172.2300.045
23,25	20	35	39 mm	35 mm	A172.2325.020
	36	35	39 mm	35 mm	A172.2325.036
23,5	20	35	39 mm	35 mm	A172.2350.020
	36	35	39 mm	35 mm	A172.2350.036
23,75	20	35	39 mm	35 mm	A172.2375.020
	36	35	39 mm	35 mm	A172.2375.036
24	20	35	39 mm	35 mm	A172.2400.020
	36	35	39 mm	35 mm	A172.2400.036
	45	35	39 mm	35 mm	A172.2400.045
24,25	20	35	39 mm	35 mm	A172.2425.020
	36	35	39 mm	35 mm	A172.2425.036
24,5	20	35	39 mm	35 mm	A172.2450.020
	36	35	39 mm	35 mm	A172.2450.036
24,75	20	35	39 mm	35 mm	A172.2475.020
	36	35	39 mm	35 mm	A172.2475.036
25	20	35	39 mm	35 mm	A172.2500.020
	36	35	39 mm	35 mm	A172.2500.036
	45	35	39 mm	35 mm	A172.2500.045
25,25	20	35	39 mm	35 mm	A172.2525.020
	36	35	39 mm	35 mm	A172.2525.036
25,5	20	35	39 mm	35 mm	A172.2550.020
	36	35	39 mm	35 mm	A172.2550.036
25,75	20	35	39 mm	35 mm	A172.2575.020
	36	35	39 mm	35 mm	A172.2575.036
26	20	35	39 mm	35 mm	A172.2600.020
	36	35	39 mm	35 mm	A172.2600.036
	45	35	39 mm	35 mm	A172.2600.045
26,25	20	42	46 mm	42 mm	A172.2625.020
	25	42	46 mm	42 mm	A172.2625.025
	36	42	46 mm	42 mm	A172.2625.036
	45	42	46 mm	42 mm	A172.2625.045

D1 F7	L1	D2 n°	D3	Alésage de positionnement	Références
26,5	20	42	46 mm	42 mm	A172.2650.020
	25	42	46 mm	42 mm	A172.2650.025
	36	42	46 mm	42 mm	A172.2650.036
	45	42	46 mm	42 mm	A172.2650.045
26,75	20	42	46 mm	42 mm	A172.2675.020
	25	42	46 mm	42 mm	A172.2675.025
	36	42	46 mm	42 mm	A172.2675.036
	45	42	46 mm	42 mm	A172.2675.045
27	20	42	46 mm	42 mm	A172.2700.020
	25	42	46 mm	42 mm	A172.2700.025
	36	42	46 mm	42 mm	A172.2700.036
	45	42	46 mm	42 mm	A172.2700.045
	56	42	46 mm	42 mm	A172.2700.056
27,25	20	42	46 mm	42 mm	A172.2725.020
	25	42	46 mm	42 mm	A172.2725.025
	36	42	46 mm	42 mm	A172.2725.036
	45	42	46 mm	42 mm	A172.2725.045
27,5	20	42	46 mm	42 mm	A172.2750.020
	25	42	46 mm	42 mm	A172.2750.025
	36	42	46 mm	42 mm	A172.2750.036
	45	42	46 mm	42 mm	A172.2750.045
27,75	20	42	46 mm	42 mm	A172.2775.020
	25	42	46 mm	42 mm	A172.2775.025
	36	42	46 mm	42 mm	A172.2775.036
	45	42	46 mm	42 mm	A172.2775.045
28	20	42	46 mm	42 mm	A172.2800.020
	25	42	46 mm	42 mm	A172.2800.025
	36	42	46 mm	42 mm	A172.2800.036
	45	42	46 mm	42 mm	A172.2800.045
	56	42	46 mm	42 mm	A172.2800.056
28,25	20	42	46 mm	42 mm	A172.2825.020
	25	42	46 mm	42 mm	A172.2825.025
	36	42	46 mm	42 mm	A172.2825.036
	45	42	46 mm	42 mm	A172.2825.045
28,5	20	42	46 mm	42 mm	A172.2850.020
	25	42	46 mm	42 mm	A172.2850.025
	36	42	46 mm	42 mm	A172.2850.036
	45	42	46 mm	42 mm	A172.2850.045
28,75	20	42	46 mm	42 mm	A172.2875.020
	25	42	46 mm	42 mm	A172.2875.025
	36	42	46 mm	42 mm	A172.2875.036
	45	42	46 mm	42 mm	A172.2875.045

D1 F7	L1	D2 n°	D3	Alésage de positionnement	Références
29	20	42	46 mm	42 mm	A172.2900.020
	25	42	46 mm	42 mm	A172.2900.025
	36	42	46 mm	42 mm	A172.2900.036
	45	42	46 mm	42 mm	A172.2900.045
	56	42	46 mm	42 mm	A172.2900.056
29,25	20	42	46 mm	42 mm	A172.2925.020
	25	42	46 mm	42 mm	A172.2925.025
	36	42	46 mm	42 mm	A172.2925.036
	45	42	46 mm	42 mm	A172.2925.045
29,5	20	42	46 mm	42 mm	A172.2950.020
	25	42	46 mm	42 mm	A172.2950.025
	36	42	46 mm	42 mm	A172.2950.036
	45	42	46 mm	42 mm	A172.2950.045
29,75	20	42	46 mm	42 mm	A172.2975.020
	25	42	46 mm	42 mm	A172.2975.025
	36	42	46 mm	42 mm	A172.2975.036
	45	42	46 mm	42 mm	A172.2975.045
30	20	42	46 mm	42 mm	A172.3000.020
	25	42	46 mm	42 mm	A172.3000.025
	36	42	46 mm	42 mm	A172.3000.036
	45	42	46 mm	42 mm	A172.3000.045
	56	42	46 mm	42 mm	A172.3000.056
30,25	25	48	52 mm	48 mm	A172.3025.025
	45	48	52 mm	48 mm	A172.3025.045
30,5	25	48	52 mm	48 mm	A172.3050.025
	45	48	52 mm	48 mm	A172.3050.045
30,75	25	48	52 mm	48 mm	A172.3075.025
	45	48	52 mm	48 mm	A172.3075.045
31	25	48	52 mm	48 mm	A172.3100.025
	45	48	52 mm	48 mm	A172.3100.045
31,25	25	48	52 mm	48 mm	A172.3125.025
	45	48	52 mm	48 mm	A172.3125.045
31,5	25	48	52 mm	48 mm	A172.3150.025
	45	48	52 mm	48 mm	A172.3150.045
31,75	25	48	52 mm	48 mm	A172.3175.025
	45	48	52 mm	48 mm	A172.3175.045
32	25	48	52 mm	48 mm	A172.3200.025
	45	48	52 mm	48 mm	A172.3200.045
32,25	25	48	52 mm	48 mm	A172.3225.025
	45	48	52 mm	48 mm	A172.3225.045
32,5	25	48	52 mm	48 mm	A172.3250.025
	45	48	52 mm	48 mm	A172.3250.045


 Références en stock

D1 F7	L1	D2 n6	D3	Alésage de positionnement	Références
32,75	25	48	52 mm	48 mm	A172.3275.025
	45	48	52 mm	48 mm	A172.3275.045
33	25	48	52 mm	48 mm	A172.3300.025
	45	48	52 mm	48 mm	A172.3300.045
33,25	25	48	52 mm	48 mm	A172.3325.025
	45	48	52 mm	48 mm	A172.3325.045
33,5	25	48	52 mm	48 mm	A172.3350.025
	45	48	52 mm	48 mm	A172.3350.045
33,75	25	48	52 mm	48 mm	A172.3375.025
	45	48	52 mm	48 mm	A172.3375.045
34	25	48	52 mm	48 mm	A172.3400.025
	45	48	52 mm	48 mm	A172.3400.045
34,25	25	48	52 mm	48 mm	A172.3425.025
	45	48	52 mm	48 mm	A172.3425.045
34,5	25	48	52 mm	48 mm	A172.3450.025
	45	48	52 mm	48 mm	A172.3450.045
34,75	25	48	52 mm	48 mm	A172.3475.025
	45	48	52 mm	48 mm	A172.3475.045
35	25	48	52 mm	48 mm	A172.3500.025
	45	48	52 mm	48 mm	A172.3500.045
	56	48	52 mm	48 mm	A172.3500.056
35,5	25	55	59 mm	55 mm	A172.3550.025
	30	55	59 mm	55 mm	A172.3550.030
	45	55	59 mm	55 mm	A172.3550.045
	56	55	59 mm	55 mm	A172.3550.056
36	25	55	59 mm	55 mm	A172.3600.025
	30	55	59 mm	55 mm	A172.3600.030
	45	55	59 mm	55 mm	A172.3600.045
	56	55	59 mm	55 mm	A172.3600.056
36,5	25	55	59 mm	55 mm	A172.3650.025
	30	55	59 mm	55 mm	A172.3650.030
	45	55	59 mm	55 mm	A172.3650.045
	56	55	59 mm	55 mm	A172.3650.056
37	25	55	59 mm	55 mm	A172.3700.025
	30	55	59 mm	55 mm	A172.3700.030
	45	55	59 mm	55 mm	A172.3700.045
	56	55	59 mm	55 mm	A172.3700.056
37,5	25	55	59 mm	55 mm	A172.3750.025
	30	55	59 mm	55 mm	A172.3750.030
	45	55	59 mm	55 mm	A172.3750.045
	56	55	59 mm	55 mm	A172.3750.056

D1 F7	L1	D2 n6	D3	Alésage de positionnement	Références
38	25	55	59 mm	55 mm	A172.3800.025
	30	55	59 mm	55 mm	A172.3800.030
	45	55	59 mm	55 mm	A172.3800.045
	56	55	59 mm	55 mm	A172.3800.056
38,5	25	55	59 mm	55 mm	A172.3850.025
	30	55	59 mm	55 mm	A172.3850.030
	45	55	59 mm	55 mm	A172.3850.045
	56	55	59 mm	55 mm	A172.3850.056
39	25	55	59 mm	55 mm	A172.3900.025
	30	55	59 mm	55 mm	A172.3900.030
	45	55	59 mm	55 mm	A172.3900.045
	56	55	59 mm	55 mm	A172.3900.056
39,5	25	55	59 mm	55 mm	A172.3950.025
	30	55	59 mm	55 mm	A172.3950.030
	45	55	59 mm	55 mm	A172.3950.045
	56	55	59 mm	55 mm	A172.3950.056
40	25	55	59 mm	55 mm	A172.4000.025
	30	55	59 mm	55 mm	A172.4000.030
	45	55	59 mm	55 mm	A172.4000.045
	56	55	59 mm	55 mm	A172.4000.056
	67	55	59 mm	55 mm	A172.4000.067
40,5	25	55	59 mm	55 mm	A172.4050.025
	30	55	59 mm	55 mm	A172.4050.030
	45	55	59 mm	55 mm	A172.4050.045
	56	55	59 mm	55 mm	A172.4050.056
41	25	55	59 mm	55 mm	A172.4100.025
	30	55	59 mm	55 mm	A172.4100.030
	45	55	59 mm	55 mm	A172.4100.045
	56	55	59 mm	55 mm	A172.4100.056
41,5	25	55	59 mm	55 mm	A172.4150.025
	30	55	59 mm	55 mm	A172.4150.030
	45	55	59 mm	55 mm	A172.4150.045
	56	55	59 mm	55 mm	A172.4150.056
42	25	55	59 mm	55 mm	A172.4200.025
	30	55	59 mm	55 mm	A172.4200.030
	45	55	59 mm	55 mm	A172.4200.045
	56	55	59 mm	55 mm	A172.4200.056
42,5	30	62	66 mm	62 mm	A172.4250.030
	56	62	66 mm	62 mm	A172.4250.056
43	30	62	66 mm	62 mm	A172.4300.030
	56	62	66 mm	62 mm	A172.4300.056
43,5	30	62	66 mm	62 mm	A172.4350.030
	56	62	66 mm	62 mm	A172.4350.056

D1 F7	L1	D2 n°	D3	Alésage de positionnement	Références
44	30	62	66 mm	62 mm	A172.4400.030
	56	62	66 mm	62 mm	A172.4400.056
44,5	30	62	66 mm	62 mm	A172.4450.030
	56	62	66 mm	62 mm	A172.4450.056
45	30	62	66 mm	62 mm	A172.4500.030
	56	62	66 mm	62 mm	A172.4500.056
	67	62	66 mm	62 mm	A172.4500.067
45,5	30	62	66 mm	62 mm	A172.4550.030
	56	62	66 mm	62 mm	A172.4550.056
46	30	62	66 mm	62 mm	A172.4600.030
	56	62	66 mm	62 mm	A172.4600.056
46,5	30	62	66 mm	62 mm	A172.4650.030
	56	62	66 mm	62 mm	A172.4650.056
47	30	62	66 mm	62 mm	A172.4700.030
	56	62	66 mm	62 mm	A172.4700.056
47,5	30	62	66 mm	62 mm	A172.4750.030
	56	62	66 mm	62 mm	A172.4750.056
48	30	62	66 mm	62 mm	A172.4800.030
	56	62	66 mm	62 mm	A172.4800.056
48,5	30	70	74 mm	70 mm	A172.4850.030
	56	70	74 mm	70 mm	A172.4850.056
49	30	70	74 mm	70 mm	A172.4900.030
	56	70	74 mm	70 mm	A172.4900.056
49,5	30	70	74 mm	70 mm	A172.4950.030
	56	70	74 mm	70 mm	A172.4950.056
50	30	70	74 mm	70 mm	A172.5000.030
	56	70	74 mm	70 mm	A172.5000.056
	67	70	74 mm	70 mm	A172.5000.067
50,5	30	70	74 mm	70 mm	A172.5050.030
	56	70	74 mm	70 mm	A172.5050.056
51	30	70	74 mm	70 mm	A172.5100.030
	56	70	74 mm	70 mm	A172.5100.056
51,5	30	70	74 mm	70 mm	A172.5150.030
	56	70	74 mm	70 mm	A172.5150.056
52	30	70	74 mm	70 mm	A172.5200.030
	56	70	74 mm	70 mm	A172.5200.056
52,5	30	70	74 mm	70 mm	A172.5250.030
	56	70	74 mm	70 mm	A172.5250.056
53	30	70	74 mm	70 mm	A172.5300.030
	56	70	74 mm	70 mm	A172.5300.056
53,5	30	70	74 mm	70 mm	A172.5350.030
	56	70	74 mm	70 mm	A172.5350.056

D1 F7	L1	D2 n°	D3	Alésage de positionnement	Références
54	30	70	74 mm	70 mm	A172.5400.030
	56	70	74 mm	70 mm	A172.5400.056
54,5	30	70	74 mm	70 mm	A172.5450.030
	56	70	74 mm	70 mm	A172.5450.056
55	30	70	74 mm	70 mm	A172.5500.030
	56	70	74 mm	70 mm	A172.5500.056
	67	70	74 mm	70 mm	A172.5500.067
56	35	78	82 mm	78 mm	A172.5600.035
	67	78	82 mm	78 mm	A172.5600.067
	72	78	82 mm	78 mm	A172.5600.072
57	35	78	82 mm	78 mm	A172.5700.035
	67	78	82 mm	78 mm	A172.5700.067
	72	78	82 mm	78 mm	A172.5700.072
58	35	78	82 mm	78 mm	A172.5800.035
	67	78	82 mm	78 mm	A172.5800.067
59	35	78	82 mm	78 mm	A172.5900.035
	67	78	82 mm	78 mm	A172.5900.067
	72	78	82 mm	78 mm	A172.5900.072
60	35	78	82 mm	78 mm	A172.6000.035
	67	78	82 mm	78 mm	A172.6000.067
	72	78	82 mm	78 mm	A172.6000.072
	78	78	82 mm	78 mm	A172.6000.078
61	35	78	82 mm	78 mm	A172.6100.035
	67	78	82 mm	78 mm	A172.6100.067
	72	78	82 mm	78 mm	A172.6100.072
62	35	78	82 mm	78 mm	A172.6200.035
	67	78	82 mm	78 mm	A172.6200.067
	72	78	82 mm	78 mm	A172.6200.072
63	35	78	82 mm	78 mm	A172.6300.035
	67	78	82 mm	78 mm	A172.6300.067
	72	78	82 mm	78 mm	A172.6300.072

 Références en stock